



FARMINGWA

CUSTOMER: _____

ABN: _____

DATE _____

ADDRESS: _____

TOWN: _____

STATE: _____

POSTCODE: _____

PHONE: _____

MOB NO: _____

FAX: _____

EMAIL: _____

CH 20S	CHASE MOR 20 TON (New 30.5 X 32 Tyre X 2)	\$62,543.00
CH 20	CHASE MOR 20 TON (New 24.5 X 32 Tyre X 4)	\$72,846.00
CH 24S	CHASE MOR 24 TON (New 800/65 x 32 Tyre x 2)	\$73,786.00
CH 24	CHASE MOR 24 TON (New 24.5 X 32 Tyre X 4)	\$82,721.00
CH 28	CHASE MOR 28 TON (New 24.5 X 32 Tyre X 4)	\$88,736.00
CH 32	CHASE MOR 32 TON (New 24.5 X 32 Tyre X 4)	\$95,251.00
CH 20S-18 Ply Tyres CH 24S-20Ply Tyres CH 32-16 Ply Tyres		

ALL PRICES ARE PLUS GST and EX FACTORY

YOUR CHASER BIN DESIGN DETAILS

<u>DISCHARGE AUGER</u>		<u>PTO DRIVE</u>	
Left	Yes/No	540 PTO	1 3/8 6 Splines Yes / No
Right	Yes/No	1000 PTO	1 3/4 20 Splines Yes / No
		1000 PTO	1 3/8 21 Splines Yes / No
<u>HYDRAULIC DISCHARGE</u>		<u>OPTIONS</u>	
Auger	Yes/No		
<u>DRAW BAR</u>		OPTIONAL COLOUR Price \$669	
Pin Size	Inch	<small>009-10300</small>	

MODEL: _____	STANDARD EQUIPMENT Large heavy duty rocking axles 18" discharge auger PTO driven discharge auger Variable hydraulic cross auger Low soil compaction design Very stable full or empty Walking beam Includes roll tarp
OPTIONS: _____	

Bin Price \$	
Options \$	
Total \$	
GST	
Total (GST Inc) \$	

Office Use Only

TOTAL \$	DEPOSIT DUE \$	PAID \$
DATE PAID	CHQ NO	BALANCE DUE \$
CUSTOMER SIGN	DATE	
Please sign when correct and fax back FAX 08 95741774 PHONE 08 95741414		

ALL PRICES ARE PLUS GST & EX FACTORY

DEPOSIT OF 25% IS DUE ON PLACEMENT OF ORDER

NO ORDER WILL BE PROCESSED UNTIL DEPOSIT HAS BEEN PAID

MACHINES MUST BE PAID FOR IN FULL BEFORE RELEASE FROM FACTORY

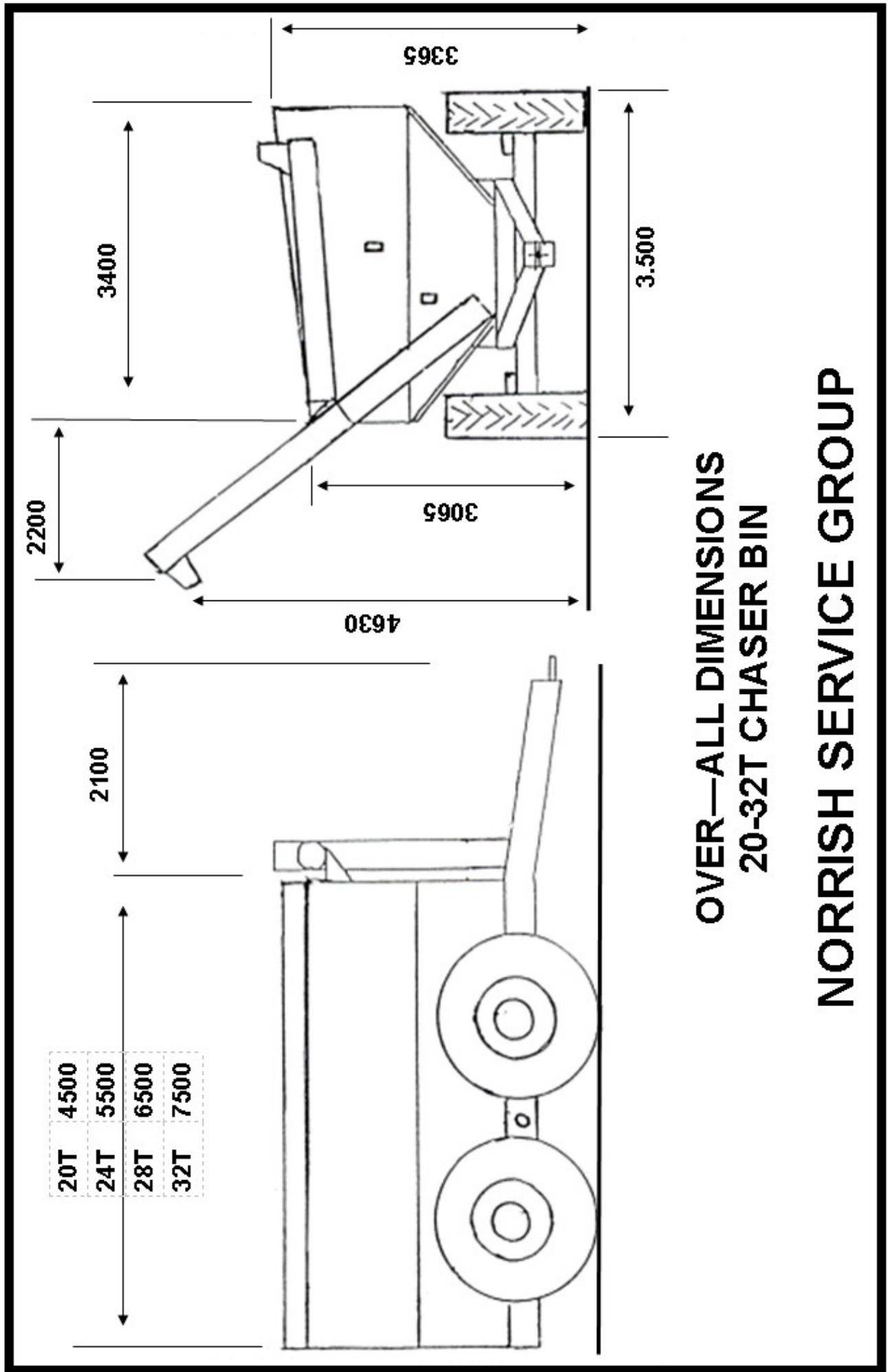


FARMINGWA

ORDER FORM PAGE 2

PRICES DO NOT INCLUDE GST AND ARE EX FACTORY

OPTIONAL EXTRAS	COST	QTY	AMOUNT
FRONT SIGHT WINDOWS			
2 Standard Windows	N/c		
ADDITIONAL WINDOWS			
Per Additional Window	\$180.00		
WEIGHT CELLS (set of 4)	On Request		
HYD DISCHARGE CHUTE <small>009-10073</small>	\$905.00		
FEED OUT TUBE PLASTIC <small>549-02</small>	\$886.00		
ROAD KIT for CHASER BIN flashing light, light on auger, oversize sign 100x100 stop/tail multi volt, flag holders. <small>009-10</small>	\$1228.00		
HYDRAULIC DISCHARGE AUGER <small>009-10055</small>	\$1875.00		
AUGER EXTENSION 500mm	\$330.00		
SEED FERTILIZER CHASER BIN	\$23,190.00		
<i>20 or 24 ton bin only, two equal compartments</i>			
<i>PTO 18 inch auger front/10inch auger rear.</i>			
<i>Seeding use front and rear auger</i>			
Optional 4 Button Remote Control	\$2845.00		
TYRE OPTION 4 x 30.5x32	\$6170.00		
<i>Arrangements can be made if clients wish to provide own tyres.</i>			
<i>Note: Client must arrange own fitting</i>			
TOTAL OF OPTIONS			



**OVER—ALL DIMENSIONS
20-32T CHASER BIN**

NORRISH SERVICE GROUP

Chaser Bin Capacity